

# TAKSTAR® 得胜



E188mini W (2.4G版)

## 无线扩音器

Wireless Voice Amplifier

使用手册 | User Manual

# E188mini W (2.4G版) 无线扩音器

## ■ 前言

尊敬的用户：

感谢您选购得胜E188mini W (2.4G版) 无线扩音器，为了您能够更好的了解使用本产品，建议您在使用前仔细阅读本说明书。

若存在有疑问或者您有宝贵的建议，可通过拨打得胜官方服务热线400 6828 333或微信扫描二维码关注得胜官方公众号与我们联系。



## ■ 产品特性

- 一款体积小巧轻便的MINI型无线扩音器；
- 采用2.4G无线技术，抗干扰传输稳定，使用距离远；
- 配备无线头戴麦克风，开机即用免调频，操作简单；
- 选用稀土材质扬声器，重量轻，声音更大，音质更好；
- 具有无线播放功能，不受线材束缚，播歌更方便；
- 内置大容量锂电池，支持Type-C快充，续航可达12小时；
- 数字MCU智能充电管理系统，防过充保护，使用安全可靠；
- 时尚外观设计，具有肩挂及腰挂等多种佩戴方式，使用更方便。

## ■ 适用范围

适用于教学、培训、导游、促销等场合扩音

## ■ 标准配置

- |          |              |          |
|----------|--------------|----------|
| • 扩音器 1台 | • 无线头戴麦克风 1个 | • 充电线 1条 |
| • 肩带 1条  | • 说明书 1份     | • 背扣 1个  |

# E188mini W (2.4G版) 无线扩音器

---

## ■ 技术参数

### 主机(扩音器)参数

- 频率响应: 80Hz-18kHz
- 峰值功率: 8W
- 扬声器阻抗: 4Ω
- 工作电压: DC 3.5-4.2V
- 电池规格: 3.7V/2000mAh
- 充电规格: 5V=1A
- 充电时间: 约2小时
- 使用时间: 约12小时
- 无线连接版本: 5.3
- 产品规格: 85\*85\*29mm
- 充电方式: Type-C
- 单机重量: 约155g

### 头戴麦克风参数

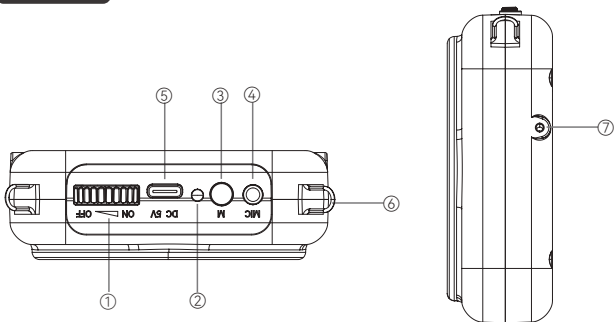
- 拾音器: 背极式驻极体
- 指向性: 单指向
- 频率响应: 60Hz-16kHz
- 灵敏度: -50±3dB
- 使用距离: 空旷地带约10米
- 电池类型: 锂离子电池
- 电池容量: 3.7V/240mAh
- 充电规格: 5V=150mA
- 充电时间: 约2小时
- 使用时间: 约6-7小时
- 净重: 约30g

注: 以上数据由得胜实验室测试得到,并拥有最终解释权!

## E188mini W (2.4G版) 无线扩音器

### ■ 功能示意

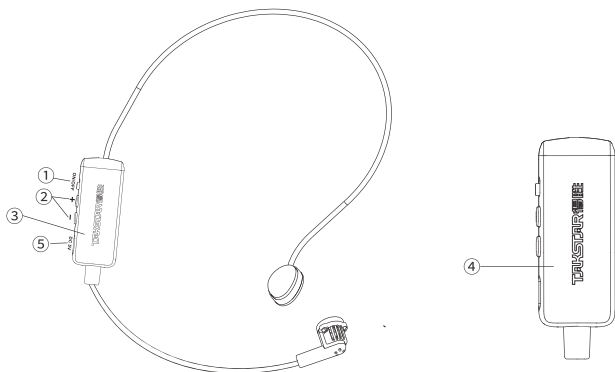
#### 扩音器主机



- ① 电源开关: 向“ON”方向拨动旋钮, 听到“哒”一声, 表示扩音器已通电并进入人声扩音状态, 此时电源指示灯亮蓝灯, 继续向“ON”方向拨动声音逐渐增大; 反之向“OFF”方向拨动则声音逐渐减少, 直至听到“哒”一声关机。
- ② 指示灯: 电量充足时, 指示灯常亮蓝灯; 低电状态时红灯闪烁, 请及时为扩音器充电; 充电过程中, 指示灯常亮红灯, 充满后蓝灯常亮。无线播放搜索配对状态下, 指示灯蓝灯快闪, 配对成功后, 蓝灯恢复常亮。
- ③ “M”模式切换键: 开机状态下, 短按该按键可切换工作模式, 并伴有相应的语音提示。
- ④ MIC输入接口: 将有线麦克风插头插入此孔, 进入有线人声扩音状态。操作时, 请不要将麦克风的拾音面朝向扩音器的扬声器, 以免产生啸叫。
- ⑤ 充电接口: 通过连接Type-C充电线为扩音器充电。
- ⑥ 挂扣: 用于安装肩带, 可将扩音器斜挂于肩上使用。
- ⑦ 背扣孔: 用于安装背扣将扩音器扣于腰带或裤腰上使用。

## E188mini W (2.4G版) 无线扩音器

### 头戴麦克风



- ① 电源开关：拨动开关至“ON”位置时开机，拨动开关至“OFF”位置时关机。
- ② 音量调节键：短按“+”键一次增加麦克风音量一个等级，长按音量“+”键为连续增加麦克风音量；短按“-”键一次减少麦克风音量一个等级，长按音量“-”键为连续减少麦克风音量，共9级音量大小调节。
- ③ 工作指示灯：配对时，蓝灯闪烁；配对成功后，蓝灯常亮；电量不足时，指示灯红灯闪烁。
- ④ 充电指示灯：充电过程中，红灯常亮；充满电后，红灯熄灭。
- ⑤ 充电接口：将Type-C充电线插入此孔，另一端连接通用的USB输出充电器，即可进行充电。

## ■ 使用说明

### 一、使用方法

打开扩音器及头戴麦克风电源开关，将自动配对连接，当头戴麦克风指示灯从闪烁变为常亮状态，且对着麦克风说话时扩音器有声音输出，表示已配对成功。如遇信号干扰，可按下面方法重新配对：

#### 1. 配对方法

- ① 同时长按音量“+”“-”键2秒进入配对搜索状态，头戴麦克风指示灯蓝灯快闪，此时打开扩音器电源开关进行配对。待指示灯从快闪状态变为常亮且对着麦克风说话，扩音器有声音输出，表示配对成功。
- ② 如对着麦克风说话扩音器没声音，表示配对不成功，请按上面方法重新配对。

### 二、无线播放配对

首次使用本机时，需要与手机或无线播放设备配对连接，步骤如下：

1. 打开扩音器的电源开关，点按“M”键切换到无线播放模式，扩音器自动进入搜索配对状态。
2. 进入手机的“设置”菜单，开启手机的无线播放功能，搜索“TAKSTAR E188mini W”进行连接，当出现语音提示时，表示无线播放已连接成功。
3. 下次开机后选择到无线播放模式时，如果是已进行过配对，将自动回连最后一次使用的播放设备。

### ■ 安全警示

为避免电击、高温、着火、辐射、爆炸、机械危险以及使用不当等可能造成的人身伤害或财产损失，使用本产品前，请仔细阅读并遵守以下事项：

1. 使用产品时请确认所连设备与本产品是否匹配以及合理调整音量大小，不要在超过产品功率及大音量下长时间使用，以免造成产品异常；
2. 使用中若发现有异常（如冒烟、异味等），请立即关闭电源开关并拔掉电源插头，然后将产品送售后服务网点检修；
3. 消费者若使用电源适配器供电，则应购买配套使用获得CCC认证并满足标准要求电源适配器；
4. 本产品及配件都应放置在室内干燥通风处，请勿长期存放在潮湿、灰尘多的环境，使用中避免靠近火源、雨淋、进水、过度碰撞、抛掷、振动本机及覆盖通风孔，以免损坏其功能；
5. 若产品需要固定于墙壁或天花板时，请确保固定到位，防止因固定强度不足导致产品发生跌落危险；
6. 使用该产品时需遵守相关安全规定，法律法规明确禁止使用场合请勿使用本产品，以免导致意外事故；
7. 请不要自行拆机改装或维修，以防止出现人身伤害，如有问题或服务需求请联系当地售后服务网点跟进处理。

# E188mini W (2.4G版) 无线扩音器

## ■ 环保说明

产品中有毒有害物质或元素的名称及含量标识表

部件名称	有毒有害物质或元素									
	铅 (Pb)	汞 (Hg)	镉 (Cd)	六价铬 (Cr(VI))	多溴联苯 (PBB)	多溴二苯醚 (PBDE)	邻苯二甲酸 二正丁酯 (DBP)	邻苯二甲酸 二异丁酯 (DIBP)	邻苯二甲酸 丁基苯酯 (BBP)	邻苯二甲酸 二(2-乙基)己酯 (DEHP)
塑料部件	○	○	○	○	○	○	○	○	○	○
金属部件	×	○	○	○	○	○	○	○	○	○
电路板组件	×	○	○	○	○	○	○	○	○	○
线缆	×	○	○	○	○	○	○	○	○	○

本表格依据SJ/T 11364的规定编制。  
○: 表示该有害物质在该部件所有均质材料中的含量均在 GB/T 26572 规定的限量要求以下。  
×: 表示该有害物质至少在该部件的某一均质材料中的含量超出 GB/T 26572 规定的限量要求。

此标志为产品的环保使用期限标志,  
且此环保使用期限只适用于产品正常工作的温度和湿度等条件。



## ■ 关于图标含义解释



此符号表示, 根据WEEE指令(2012/19/EU)和国家法律, 由于这种类型的废弃物会有潜在的有害物质, 可能对环境 and 人类健康产生负面影响, 所以本产品不应与您的家庭垃圾一起处置, 应将本产品交由授权的电气和电子设备 (WEEE) 回收站回收。同时, 您在正确处理本产品的同时将有助于自然资源的有效利用。如需了解更多有关您可以在何处放置废物回收设备的信息, 请联系您当地的城市办事处、废物管理局或家庭废物处理服务部门。

# E188mini W (2.4G版) 无线扩音器

## ■ 关于本说明书

本说明书中内容符合截止印刷之日的技术规格。由于得胜公司会不断改进产品，本说明书可能不符合您的特定产品的技术规格。要获取最新版说明书，请访问得胜官网，然后下载说明书文件。技术规格、设备或另售的附件在各个地区可能有所不同，如有问题请与当地得胜销售网点确认。如需更多支持和深层产品信息，请浏览得胜官方网站：<https://www.takstar.com>

版权所有 ©2025 得胜。得胜、TAKSTAR及其各自标志是得胜公司在中国和/或其他国家/地区的注册商标或商标。所有其它商标均是其各自所有者的财产。

### 注意事项：

1. 本单为保修凭证，请用户妥善保管，如有遗失，恕不保修或退换。
2. 保修期限制：购买之日起十二个月内。
3. 除了不可抗力事件损坏外，由本公司负责，免费维修。
4. 如属保管不善或使用不当造成的损坏，维修点将酌情收费。
5. 擅自拆卸维修者，不予保修。
6. 以上保修条款仅限于中国市场适用（不含港澳台地区）。

## 产品服务保证书

姓名：\_\_\_\_\_ 电话：\_\_\_\_\_ 地址：\_\_\_\_\_

商品：\_\_\_\_\_ 型号：\_\_\_\_\_ 购买日期：\_\_\_\_年\_\_月\_\_日

维修记录栏（由维修员填写）	维修员签名	日期

◆广东得胜电子有限公司 ◆电话：400-6828-333 ◆地址：广东省惠州市博罗县龙溪街道富康一路2号

# E188mini W (2.4G Version) Wireless Voice Amplifier

---

## ■ Preface

Dear Customer,

Thank you for purchasing our product. Read this manual thoroughly to use the product properly.

If you have any questions or suggestions, please contact our local sales service.

## ■ Features

- Compact and lightweight mini wireless voice amplifier.
- Utilizes 2.4G wireless tech for stable, long-distance transmission.
- Comes with a wireless headset mic, ready to use without frequency tuning.
- Lightweight rare earth material speaker for louder sound and better quality.
- Offers wireless playback for convenient music streaming without cables.
- Built-in lithium-ion battery supports USB-C fast charging, with up to 12 hours of use.
- Digital MCU smart charging management system prevents overcharging for safe operation.
- Stylish design with multiple wearing options, including shoulder and waist carry.

## ■ Applications

Teaching, tour guiding, training, and promotions.

## ■ Package Contents

1 × Voice Amplifier	1 × Shoulder Strap
1 × Wireless Headset Mic	1 × User Manual
1 × Charging Cable	1 × Belt Clip

## ■ Specifications

### Voice Amplifier

- Frequency Response: 80Hz-18kHz
- Peak Power: 8W
- Speaker Impedance: 4Ω
- Operating Voltage: DC 3.5-4.2V
- Battery Specifications: 3.7V/2000mAh
- Charging Spec: DC 5V=1A
- Charging Time: Approx. 2 hours
- Usage Time: Approx. 12 hours
- Wireless Version: V5.3
- Dimensions: 85\*85\*29mm
- Charging Method: USB-C
- Weight: Approx. 155g

## E188mini W (2.4G Version) Wireless Voice Amplifier

---

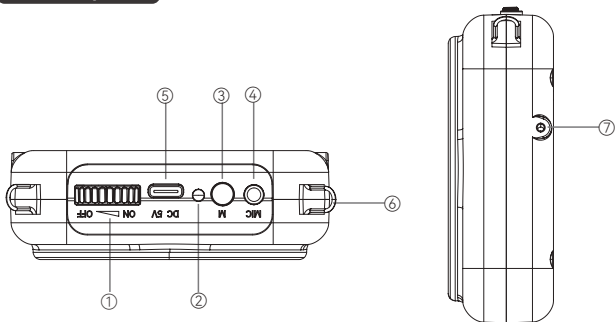
### Headset Microphone

- Transducer: Back-electret condenser
- Directionality: Unidirectional
- Frequency Response: 60Hz - 16kHz
- Sensitivity:  $-50 \pm 3\text{dB}$
- Operating Distance: Approx. 10m in open areas
- Battery Type: Lithium-ion
- Battery Capacity: 3.7V / 240mAh
- Charging Specs: 5V=150mA
- Charging Time: Approx. 2 hours
- Usage Time: Approx. 6-7 hours
- Net Weight: Approx. 30g

Note: The above data are measured by Takstar laboratory which has the final interpretation right!

## ■ Function Descriptions

### Voice Amplifier

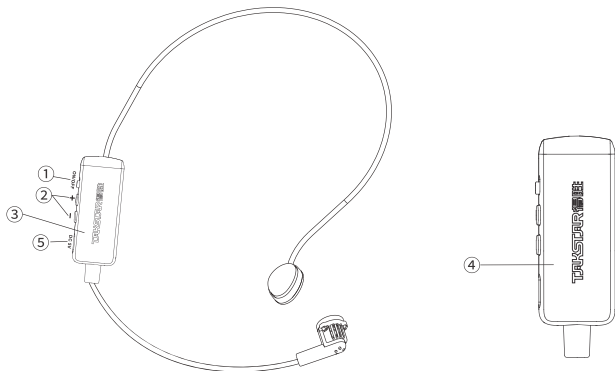


- ① Power Switch: Rotate the knob towards ON until you hear a click to power up the amplifier into voice amplification mode. The power indicator will light up blue. Continue rotating towards ON to gradually increase the volume. Rotate towards OFF to gradually decrease the volume and eventually power off the device when you hear a click.
- ② Indicator Light: Solid blue when power is sufficient; red flashes if low power and requires charging timely; solid red while charging and turns solid blue when fully charged. Rapid blue flashes when searching for device to pair in wireless playback mode, and resumes solid blue when paired successfully.
- ③ M Mode Switch Button: When powered on, short press to switch between different work modes, accompanied by corresponding voice prompts.

## E188mini W (2.4G Version) Wireless Voice Amplifier

- ④ MIC Input Interface: Insert a wired mic to start wired voice amplification. During operation, please ensure that the pickup side of the mic is not facing the speaker of the voice amplifier to avoid feedback.
- ⑤ Charging Port: Connect the USB-C charging cable to charge the amplifier.
- ⑥ Strap Hook: Used for attaching a shoulder strap to wear the amplifier on the shoulder.
- ⑦ Belt Clip Socket: Used for attaching a belt clip to secure the amplifier to a waistband or waist belt.

### Headset Microphone



- ① Power Switch: Slide the switch to "ON" to power on, and "OFF" to turn off.

## E188mini W (2.4G Version) Wireless Voice Amplifier

---

- ② Volume Buttons: Short-press the "+" button to increase microphone volume by one level; long-press to continuously increase volume; short-press the "-" button to decrease volume by one level; long-press to continuously decrease volume. Total 9-level volume adjustment.
- ③ Working Indicator: When pairing, the blue light flashes; after successful pairing, the blue light stays on; when the battery is low, the indicator flashes red.
- ④ Charging Indicator: Solid red during charging; red light off when fully charged.
- ⑤ Charging Port: Insert a USB-C charging cable into this port and connect the other end to a USB charger to charge the mic.

### ■ Operating Instructions

#### I. Usage Instructions

Turn on the power switches of the amplifier and headset microphone, and they will automatically pair. When the indicator light of the headset microphone changes from flashing to steady on, and the amplifier outputs sound when speaking into the microphone, the pairing is successful. In case of signal interference, re-pair as follows:

##### A. Pairing Method

- ① Long-press the volume "+" and "-" buttons of the headset microphone simultaneously for 2 seconds to enter pairing mode. The blue indicator light of the headset microphone will flash rapidly. Then turn on the amplifier's power switch to pair. When the indicator light changes from rapid flashing to steady on and the amplifier outputs sound when speaking into the microphone, pairing is successful.
- ② If the amplifier does not produce sound when speaking into the microphone, pairing fails. Please re-pair using the above method.

### II. Wireless Playback Pairing

To pair the device with a smartphone or wireless playback device for the first time, follow these steps:

1. Long press the power button to turn on the amplifier, then press the “M” button to switch to wireless playback mode. The indicator light will flash red and blue, indicating it is in pairing mode.
2. Go to your smartphone’s settings, enable wireless playback, and search for “TAKSTAR E188mini W” to connect. You will hear a voice prompt confirming the successful connection.
3. On subsequent power-ups, when selecting wireless playback mode, the device will automatically reconnect to the last used playback device if previously paired.

### ■ Safety Instructions

To avoid electric shock, overheat, fire, radiation, explosion, mechanical risk and injury or property loss due to improper use, please read and observe the following items before use:

1. Please check if the power of the connected equipment matches with that of this product before operation. Adjust the volume to proper level during operation. Do not operate at over-power or high-volume level for extended time to avoid product malfunction.
2. If there is any abnormality during use (e.g., smoke, strange odor), please kill the power switch and unplug from power source, then send the product to the local after-sales service for repair.
3. Power adapter used, if any, should be approved by CCC certification or similar standards and comply with the power supply requirements.
4. Keep this product and its accessories in a dry and ventilated area. Do not store in a humid or dusty area for extended time. Keep away from fire, rain, liquid intrusion, bumping, throwing, vibrating, or from blocking any ventilation openings, to prevent malfunction.
5. The product must, when installed on walls or ceilings, be fixed firmly in place at adequate strength to prevent from falling.
6. Please abide by safety rules during operation. Do not use the product in places prohibited by laws or regulations to avoid accident.
7. Do not disassemble or repair the product by yourself to avoid injury. If you have any questions or require any services, please contact our local after-sales service.

### ■ Label Meanings



This symbol indicates that this product should not be disposed of with your household waste, according to the WEEE directive (2012/19/EU) and your national law. This product should be handed over to an authorized collection site for recycling waste electrical and electronic equipment (WEEE). Improper handling of this type of waste could have a possible negative impact on the environment and human health due to potentially hazardous substances that are generally associated with WEEE. At the same time, your cooperation in the correct disposal of this product will contribute to the effective usage of natural resources. For more information about where you can drop off your waste equipment for recycling, please contact your local city office, waste authority, or your household waste disposal service.

### ■ About This Manual

This manual contains up-to-date technical specifications as of printing. However, specifications contained herein may not conform to your particular product since Takstar is constantly improving its products. Also, specifications, devices or accessories available may vary from region to region. If you have any questions, please contact our local sales outlet. For the latest version/more information, please visit our website:

<https://www.takstar.com/>

Copyright ©2025 TAKSTAR. TAKSTAR, 得胜 and their respective logos are registered trademarks or trademarks of Takstar company in the PRC, and/or other countries. All other trademarks are the property of their respective owners.



扫一扫，了解更多产品  
Scan for more  
product information

## 广东省电声工程技术研究开发中心 广东得胜电子有限公司制造

地址: 广东省惠州市博罗县龙溪街道富康一路2号  
服务热线: 400 6828 333 传真: 0752 6383950  
邮箱: [xs@takstar.com](mailto:xs@takstar.com)  
网址: [www.takstar.com](http://www.takstar.com)

### **Designed & Manufactured by:**

Guangdong Takstar Electronic Co., Ltd.  
Address: No.2 Fu Kang Yi Rd., Longxi Boluo  
Huizhou, Guangdong 516121 China  
Tel: 86 752 6383644 Fax: 86 752 6383952  
Email: [sales@takstar.com](mailto:sales@takstar.com)  
Website: [www.takstar.com](http://www.takstar.com)